

DYONICS®

DYONICS® 25 Fluid Management System

smith & nephew

60

Pressure mmHg

Set Pressure mmHg
60

▼ ▲

Set Suction

--

Flow Rate L/min

Set Flow Limit L/min
2.5

▼

START

1:0

Check flow

Press START to pump

Cannula

High Flow

Medium Flow

Low Flow

Settings

Clear and simple

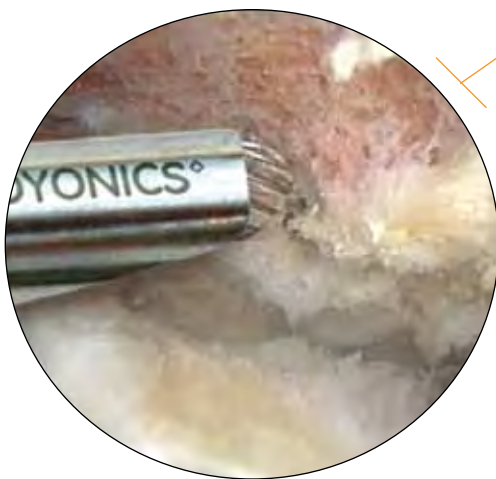
smith & nephew
DYONICS® 25
Fluid Management System

The DYONICS[◇] 25 Fluid Management System is specially designed to give the surgeon a clear and consistent image in an easy to use, accurate and versatile system.

Clear and simple

The DYONICS 25 Pump is specifically designed to maintain a clear image while providing the surgeon with very accurate in-joint pressures.

- Easy to use – No calibration required. Touch screen interface is user friendly.
- A clear image – Unrivalled in-joint pressure accuracy.
- High performance – High flow to 2.5 l/min, outflow control and a Lavage function.
- Minimizes saline usage – Controls fluid outflow.



The DYONICS[◇] 25 Fluid Management System is designed to provide a clear view in all arthroscopic procedures.

Control

The optional remote controls allow for control of the pump from within the sterile field. The wireless remote allows for full control of all pump inflow and outflow functions from anywhere within the OR.



Integrated system

Ergonomically designed, lightweight procedure cart.

- Robust aluminum and stainless steel construction prevents rusting.
- 4 bag hangers minimize bag changeovers.
- UL recognized for safety.
- Available both with and without integrated isolation transformer and power outlets.



Convenient

Unique LEVELERT® II Fluid Sensor alarm will warn when the fluid bags are running low.

- Battery operated.
- Compatible with fluid bags up to 5 liters.

High flow performance

A line of cannulas specifically designed to maximize pump performance to provide the clearest image.

- Available in single and double valve designs.
- Unique color markings align the cannulas with the high flow settings on the DYONICS 25 System.

Versatile

A complete range of tubing styles is available to suit all operative techniques.

- Inflow and outflow control.
- Day tubing provides a cost effective solution for facilities with high case volumes.
- Multi-bag adapters allow the use of 4 fluid bags simultaneously.

A powerful combination

Communication with the DYONICS Arthroscopic Resection System provides enhanced outflow management to maintain visibility when resecting tissue.

- Custom outflow settings maximize in-joint visibility while minimizing fluid usage.



Ordering Information

Pump Unit

72200207 DYONICS® 25 Control unit set (US only).
Contact your International Smith & Nephew
representative for DYONICS 25 pump
systems available outside the US.

Cannulas

72200829 6.0 mm, high flow diagnostic cannula,
double-valve, rotatable
72200830 6.0 mm, high flow diagnostic cannula,
single-valve, rotatable

Irrigation Extenders

72200831 High flow irrigation extender, double-valve, rotatable
72200832 High flow irrigation extender, single-valve, rotatable
72201022 High flow irrigation extender for cannulas with fluid seals,
double-valve, rotatable
72201021 High flow irrigation extender for cannulas with fluid seals,
single-valve, rotatable

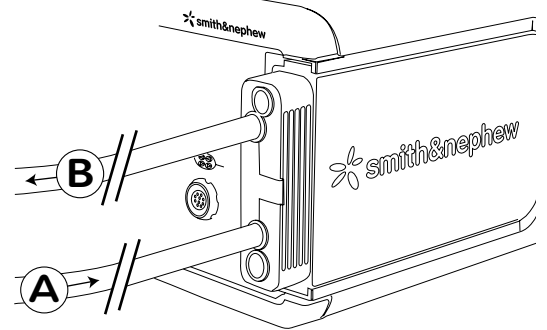
Tubing

7211004 Inflow only tube set
7211005 Inflow/outflow tube set, single suction
7211006 Inflow/outflow tube set, forked suction
7211007 Day tube set
7211008 Patient tube set
7204483 Multibag irrigation adaptor

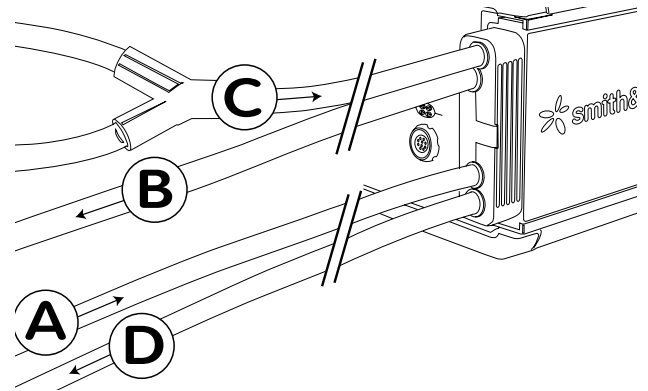
Accessories

72200891 Remote control, wireless
72201017 Remote control, wired
7211011 LEVELERT® II Fluid Level Sensor
7211009 Luer-to-Colder adaptor for use with INTELJET® Cannulae
7211014 Equipment cart without power outlets
(North America only. Contact your International Smith &
Nephew representative for carts available outside the US.)
72200747 Equipment cart with electrical transformer and power
outlets (North America only. Contact your International
Smith & Nephew representative for carts available
outside the US.)
72200888 Transformer upgrade kit

Tubing Options

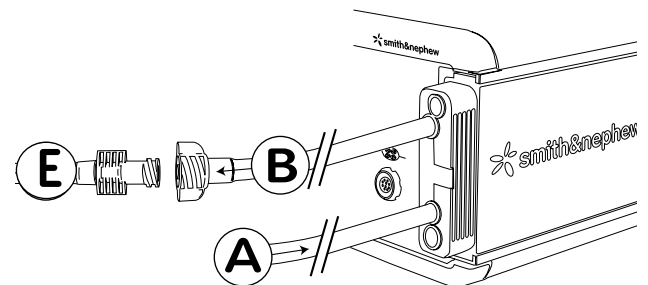


7211004 Inflow only tube set



7211006 Inflow/outflow tube set, forked suction

7211005 Inflow/outflow tube set, single suction
(only has single tube at C)



7211007 Day and 7211008 Patient tubeset

- A Tubing from fluid bag
- B Inflow tube from cassette
- C Outflow return from joint to cassette
- D Outflow to waste
- E Patient inflow tube